

GLSD Stainless Steel Piano Hinge



Features

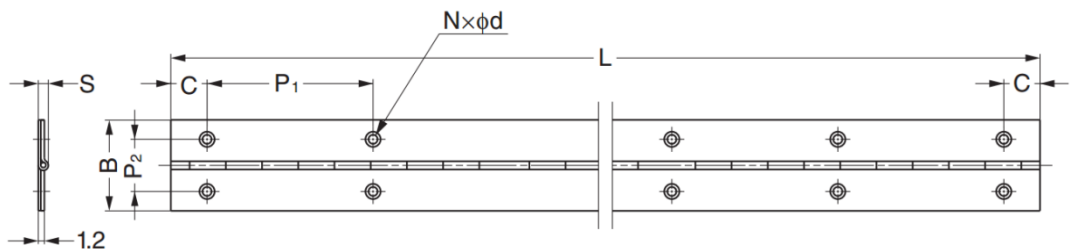
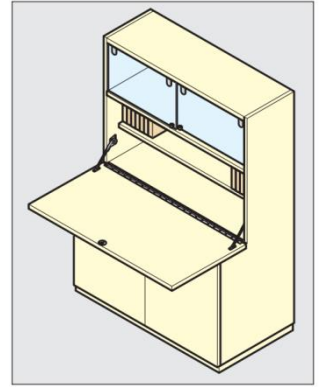
- Double folded construction provides extra rigidity
- Can be cut to any length

Material

- Stainless steel, satin finish

Notes

- When cutting hinge, to ensure pin does not come loose



Part No.	Material	L	B	C	P ₁	P ₂	Holes N	d	S	
GLS-240	Stainless Steel 430	240	24.5	10.5	43.5	14.5	12	3	3.5	
GLSD-240	Stainless Steel 304		30			17				
GLS-300	Stainless Steel 430	300	24.5		46.3	14.5	14			
GLSD-300	Stainless Steel 304									
GLS-360	Stainless Steel 430	360	30	15	47	17	16			
GLSD-360	Stainless Steel 304									
GLS-450	Stainless Steel 430	450		14	14.5		60			20
GLSD-450	Stainless Steel 304									
GLS-600	Stainless Steel 430	600			14	63.3	30			
GLSD-600	Stainless Steel 304									
GLS-900	Stainless Steel 430	900				62.3	30			
GLSD-900	Stainless Steel 304									